

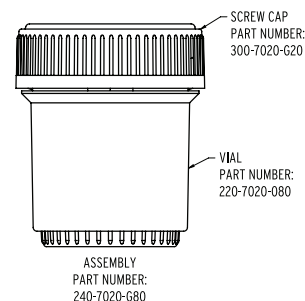
Histo-Click™ Specimen Containers



For histology and cytology applications, including storage and transport of tissues and samples

- > Leak-resistant containers are 95kPa and thermal shock compliant as verified through outside testing.
- > Audible click seal provides extra assurance of a secure, tight seal.
- > Containers are molded from polypropylene copolymer and provide good clarity and shatterproof assurance.
- > Graduations are molded in.
- > Caps are molded from polyethylene.
- > Recessed cap for nesting and consolidated storage.
- > Initial product offering is 20 ml. Additional sizes will include 40 ml, 60 ml, 90 ml and 120 ml.

Part Number	Size	Carton Quantity
220-7020-080	20 ml Click-top Vial	1000
300-7020-G20	20 ml Click-top Cap – Green	1000
240-7020-G80	20 ml Click-top Vial W/Green Cap	1000



Get free samples or place your order today: 800.421.6261 - info@evergreensci.com



www.evergreensci.com | 1.888.CAPLUGS | sales@caplugs.com

© Protective Industries, Inc. 2020. The information contained herein is proprietary to Caplugs and may not be used or disseminated inappropriately. All trademarks, except where noted, are property of Protective Industries, Inc.

ISO 9001
IATF 16949
ISO 14001
ISO 13485

REGISTERED